



**EBARA**

# CDX-2CDX

SINGLE IMPELLER CENTRIFUGAL ELECTRIC PUMPS  
DUAL IMPELLER CENTRIFUGAL ELECTRIC PUMPS

60 Hz





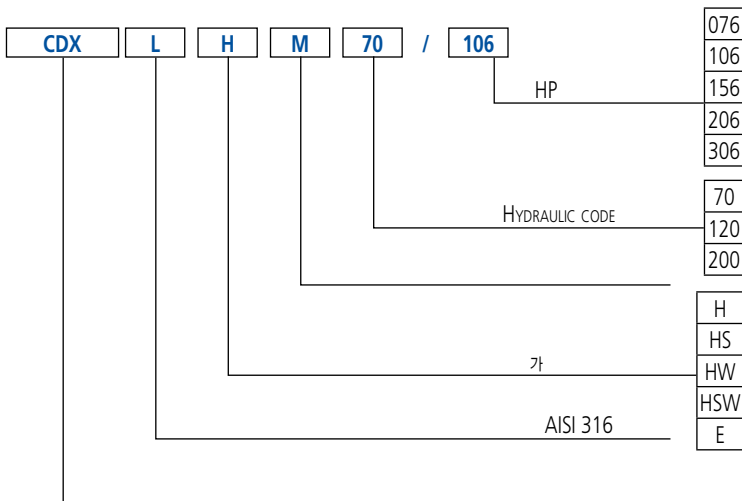
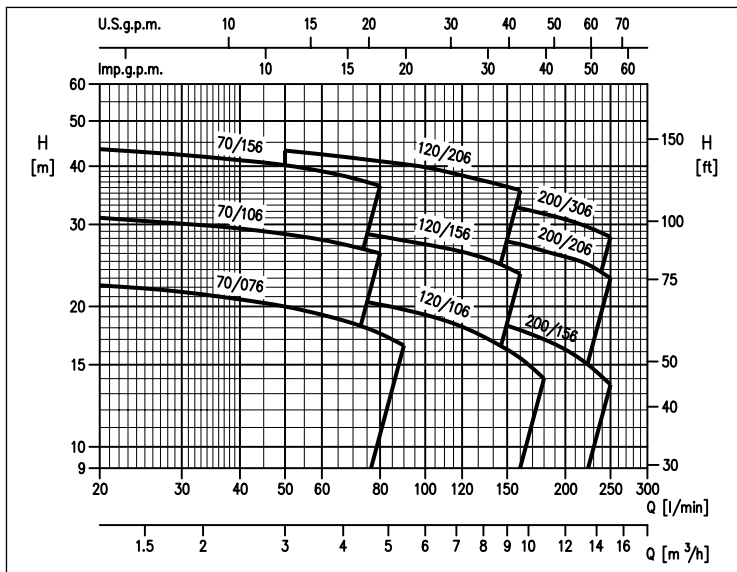
# CDX(L)

## SINGLE IMPELLER CENTRIFUGAL ELECTRIC PUMPS

in AISI 304 and AISI 316



(according to ISO 9906 Attachment A)



Single impeller centrifugal electric pumps with hydraulic parts in AISI 304 and AISI 316 stainless steel.

- 
- 
- 
- 
- 
- 
- 
- 
- 
- 

- : 8 bar
- :
- CDX 70 -5°C +60°C
- -5°C +90°C
- H-HS-HW-HSW -5°C +110°C
- 2
- F
- IP55
- 110-115V ±6%, 60Hz
- 220-230V ±6%, 60Hz
- 220/380-460V -6%+10%, 60Hz
- CDX 200 G1½, G1¼
- G1

- Casing, impeller, diffuser and casing cover in AISI 304 or AISI 316 for "L" version
- Shaft in AISI 303 or AISI 316 for "L" version
- Motor bracket and motor cover in aluminium
- Mechanical seal in:
  - Ceramic/Carbon/NBR (standard)
  - Ceramic/Carbon/FPM (H version)
  - SiC/SiC/FPM (HS version)
  - Tungsten carbide/Tungsten carbide/FPM (HW version - seal with reduced slide face)
  - SiC/Tungsten carbide/FPM (HSW version)
  - Ceramic/Graphite/EPDM (E version)

The contents of this publication must not be regarded as binding. EBARA Pumps Europe S.p.A. reserves the right to effect any modification it deems necessary without prior notice.



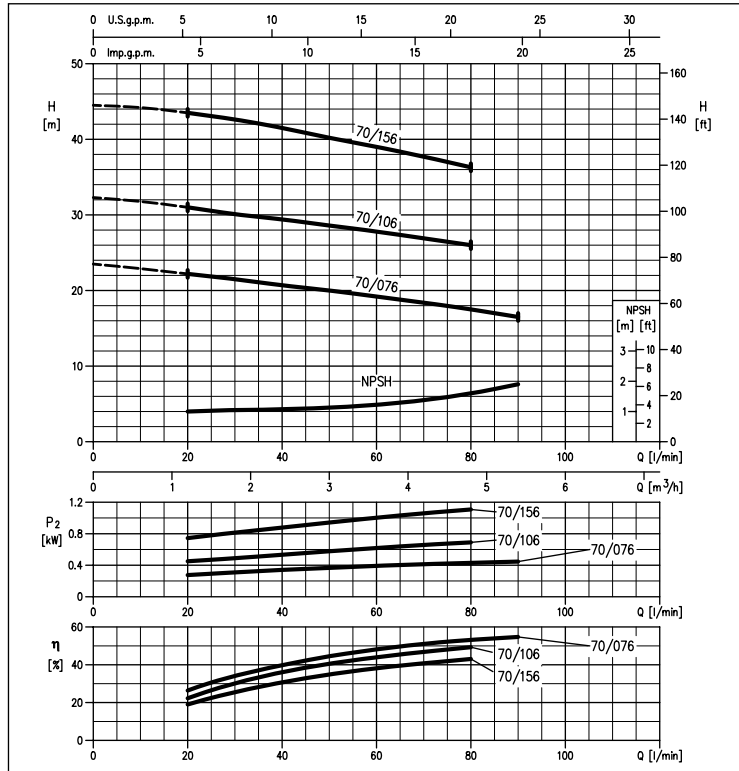
# CDX(L)

## SINGLE IMPELLER CENTRIFUGAL ELECTRIC PUMPS

in AISI 304 and AISI 316

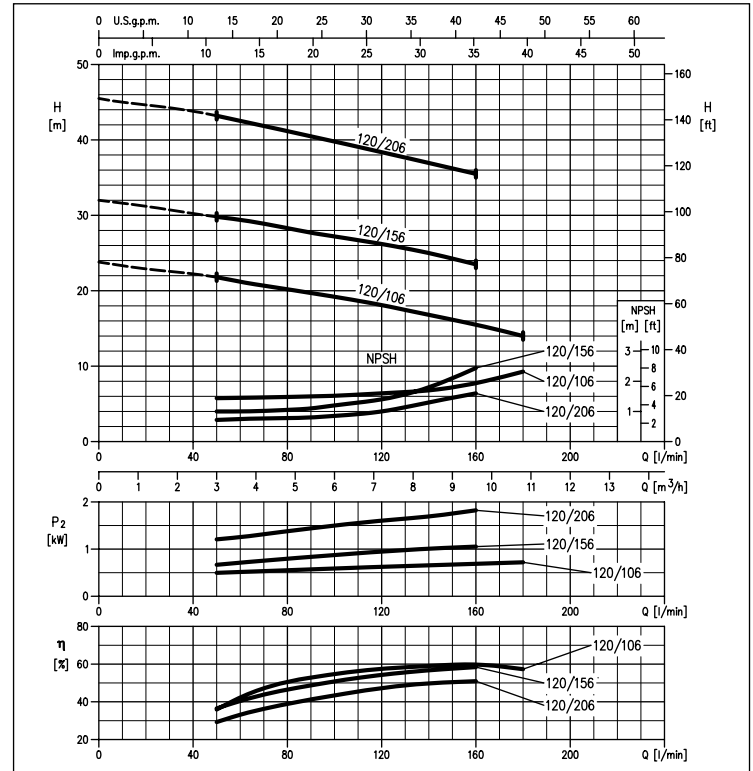
### CDX 70 range

(according to ISO 9906 Attachment A)



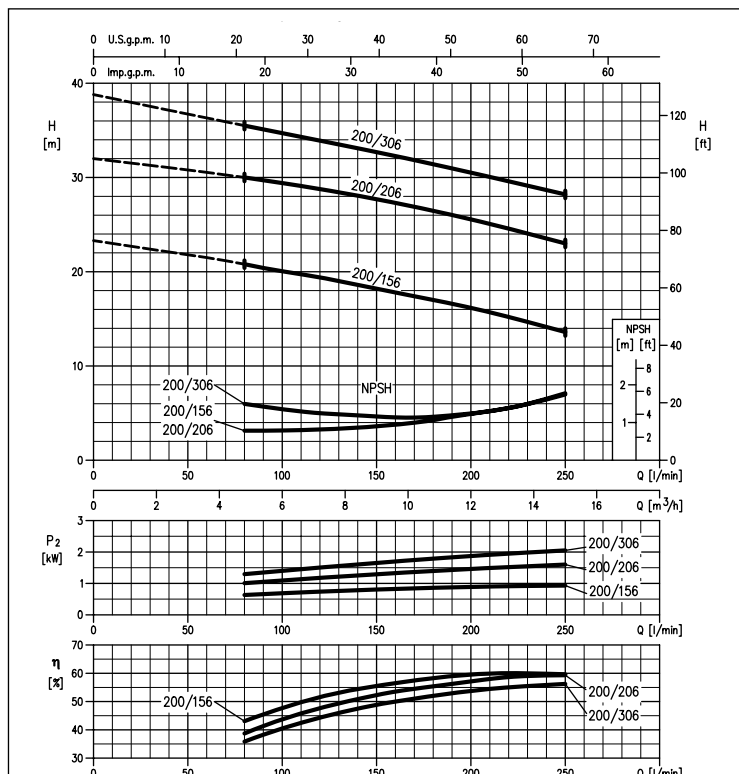
### CDX 120 range

(according to ISO 9906 Attachment A)



### CDX 200 range

(according to ISO 9906 Attachment A)



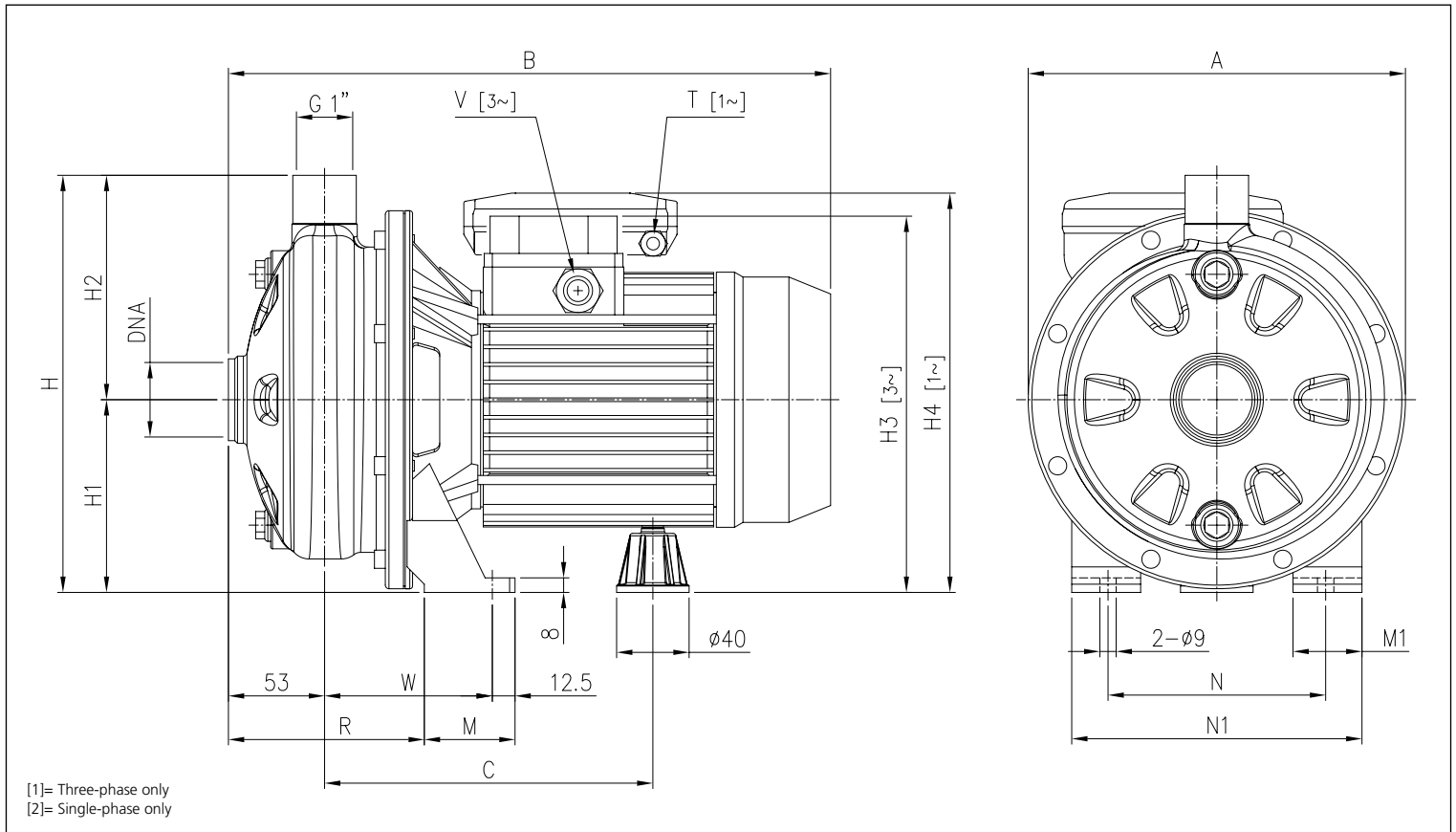
The contents of this publication must not be regarded as binding. EBARA Pumps Europe S.p.A. reserves the right to effect any modification it deems necessary, without prior notice.

# CDX(L)

## SINGLE IMPELLER CENTRIFUGAL ELECTRIC PUMPS

in AISI 304 and AISI 316

110-115/220-230V	220/380-460V	P <sub>2</sub>		Q=										
		[HP]	[kW]	l/min	20	50	80	90	120	140	160	180	220	250
				m <sup>3</sup> /h	1,2	3	4,8	5,4	7,2	8,4	9,6	10,8	13,2	15,0
				H= [m]										
CDXM 70/076	CDX 70/076	0,75	0,55	22,2	20,0	17,5	16,5	-	-	-	-	-	-	-
CDXM 70/106	CDX 70/106	1	0,75	31,0	28,6	26,0	-	-	-	-	-	-	-	-
CDXM 70/156	CDX 70/156	1,5	1,1	43,5	40,2	36,3	-	-	-	-	-	-	-	-
CDXM 120/106	CDX 120/106	1	0,75	-	21,8	20,2	19,7	18,1	16,8	15,5	14,0	-	-	
CDXM 120/156	CDX 120/156	1,5	1,1	-	29,8	28,3	27,7	26,2	25,0	23,5	-	-	-	
CDXM 120/206	CDX 120/206	2	1,5	-	43,2	41,0	40,4	38,2	36,8	35,5	-	-	-	
CDXM 200/156	CDX 200/156	1,5	1,1	-	-	20,8	20,4	19,4	18,6	17,8	17,0	15,2	13,5	
CDXM 200/206	CDX 200/206	2	1,5	-	-	30,0	29,5	28,6	27,9	27,2	26,3	24,6	23,0	
-	CDX 200/306	3	2,2	-	-	35,5	35,1	34,0	33,3	32,5	31,6	29,8	28,3	

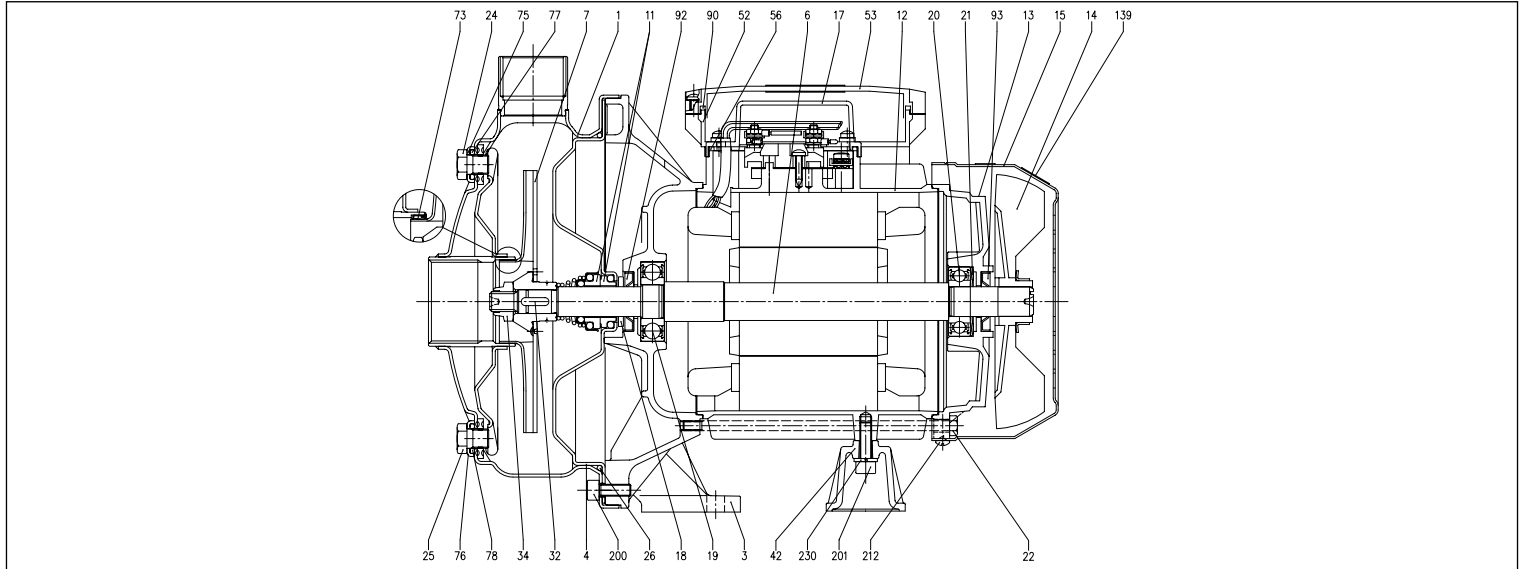


	A	B	C	H	H1	H2	H3	H4	M	M1	N	N1	R	T	V	W	DNA	[kg]		
		[1]	[2]				[1]	[2]						[2]	[1]		[2]	[1]		
CDX(M) 70/076	208	320	321	181	229,5	106	123,5	207	216	50	38	120	160	108	PG11	PG11	92,5	G1 ?	8,5	8,4
CDX(M) 70/106	208	320	321	181	229,5	106	123,5	207	216	50	38	120	160	108	PG11	PG11	92,5	G1 ?	9,5	9,6
CDX(M) 70/156	208	332	321	181	229,5	106	123,5	207	216	50	38	120	160	108	PG11	PG11	92,5	G1 ?	11,7	12,5
CDX(M) 120/106	208	320	321	181	229,5	106	123,5	207	216	50	38	120	160	108	PG11	PG11	92,5	G1 ?	9,5	9,5
CDX(M) 120/156	208	332	321	181	229,5	106	123,5	207	216	50	38	120	160	108	PG11	PG11	92,5	G1 ?	11,7	12,4
CDX(M) 120/206	232	359	347	198,5	229,5	116	123,5	225	249	55	40	140	180	105,5	PG13,5	PG11	95	G1 ?	15,3	14,5
CDX(M) 200/156	208	320	321	181	229,5	106	123,5	207	216	50	38	120	160	108	PG11	PG11	92,5	G1 ?	11,0	10,7
CDX(M) 200/206	208	359	347	198,5	229,5	106	123,5	225	237	55	40	140	180	105,5	PG13,5	PG11	95	G1 ?	15,0	15,7
CDX 200/306	232	359	-	198,5	250	118	132	237	-	55	40	140	180	105,5	-	PG11	95	G1 ?	-	16,9

[1]= Three-phase only  
[2]= Single-phase only

## SINGLE IMPELLER CENTRIFUGAL ELECTRIC PUMPS

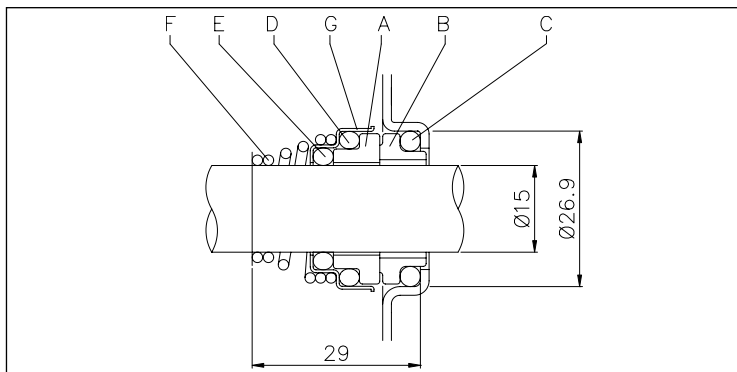
in AISI 304 and AISI 316



Ref.			Ref.		
1	Casing	AISI 304 / AISI 316 [8]	25	Drain plug	AISI 303 / AISI 316 [8]
3	Motor bracket	Aluminium	26	O-ring [3]	NBR
4	Casing cover	AISI 304 / AISI 316 [8]	32	Key	AISI 316
6	Shaft with rotor	AISI 303 / AISI 316 [8] (Wet extension)	34	Impeller nut	AISI 304 / AISI 316 [8]
7	Impeller	AISI 304 / AISI 316 [8]	42	Motor support	Aluminium
11	Mechanical seal [3] - [4]	Carbon/Ceramic/NBR	52	Terminal box [1]	ABS
12	Motor frame with stator	-	53	Terminal box cover [6]	ABS [6]
13	Motor cover	Aluminium	56	Box gasket	NBR
14	Fan	PA	73	Casing ring [5]	AISI 304 / AISI 316 [8]
15	Fan cover	Fe P04 Galvanized	75	Washer	AISI 304 / AISI 316 [8]
16	Terminal board	-	76	Washer	AISI 304 / AISI 316 [8]
17	Terminal box cover [2]	Aluminium	77	O-ring [3]	NBR
18	Splash ring	NBR	78	O-ring [3]	NBR
19	Pump side ball bearing	-	90	Terminal box cover gasket [7]	NBR
20	Fan side ball bearing	-	92	Lip seal	-
21	Adjusting ring	Steel C70	93	Lip seal	-
22	Tie rod	Fe 420 Galvanized	110	Protector [1]	-
23	Capacitor [1]	-	200	Screw	Stainless steel A2 UNI7323
24	Priming plug	AISI 303 / AISI 316 [8]			

[1] Only for single phase [2] Only for three phase [3] FPM for CDX H-HS-HW-HSW [4] Special version, see page 301  
 [5] NBR for CDX 70/076-70/106-70/156  
 FPM for CDX H-HS-HW-HSW of the CDX 70/076-70/106-70/156  
 [6] Whit gasket in NBR only for version single phase CDXM 70/076, 70/106, 70/156, 120/106, 120/156, 200/156  
 [7] Only for version single phase CDXM 120/206, 200/206 [8] Only for "L" version

### CDX standard



Ref.		
A	Rotating part	Ceramic
B	Fixed part	Carbon
C	O-Ring	NBR
D	O-Ring	NBR
E	O-Ring	NBR
F	Spring	AISI 316
G	Structure/frame	AISI 304

The contents of this publication must not be regarded as binding. EBARA Pumps Europe S.p.A. reserves the right to effect any modification it deems necessary, without prior notice.

# CDX(L)

## SINGLE IMPELLER CENTRIFUGAL ELECTRIC PUMPS

in AISI 304 and AISI 316

(on request)

	H version	HS version	HW version	HSW version	E version
Fixed Part	Carbon	SiC	Tungsten Carbide	Tungsten Carbide	Carbon
Rotating Part	Ceramic	SiC	Tungsten Carbide	SiC	Ceramic
Elastomers	FPM	FPM	FPM	FPM	EPDM
Spring	AISI 316	AISI 316	AISI 316	AISI 316	AISI 316
Structure/Frame	AISI 304	AISI 316	AISI 316	AISI 316	AISI 316

110-115/220-230V	220/380-460V	P <sub>2</sub>		Capacitor				P <sub>1</sub>		Absorbed Current [A]				
		[HP]	[kW]	110-115V		220-230V		[kW]	[kW]	110-115V	220-230V	220V	380V	460V
				μF	V.	μF	V.							
CDXM 70/076	CDX 70/076	0,75	0,55	45	250	12,5	450	0,7	0,74	7,5	3,4	2,0	1,2	1,2
CDXM 70/106	CDX 70/106	1	0,75	60	250	14	450	1,05	0,97	9,4	5,1	2,9	1,7	1,6
CDXM 70/156	CDX 70/156	1,5	1,1	-	-	25	450	1,56	1,5	-	7,5	3,8	2,2	2,2
CDXM 120/106	CDX 120/106	1	0,75	60	250	14	450	1,06	0,99	10,4	5,2	2,9	1,7	1,7
CDXM 120/156	CDX 120/156	1,5	1,1	-	-	25	450	1,5	1,5	-	7,2	3,8	2,2	2,2
CDXM 120/206	CDX 120/206	2	1,5	-	-	35	450	2,34	2,9	-	11,3	8,1	4,7	4,3
CDXM 200/156	CDX 200/156	1,5	1,1	-	-	20	450	1,35	1,	-	6,6	2,9	1,7	1,6
CDXM 200/206	CDX 200/206	2	1,5	-	-	35	450	2,06	2,9	-	10,0	8,1	4,7	4,3
-	CDX 200/306	3	2,2	-	-	-	-	-	2,9	-	-	8,1	4,7	4,3



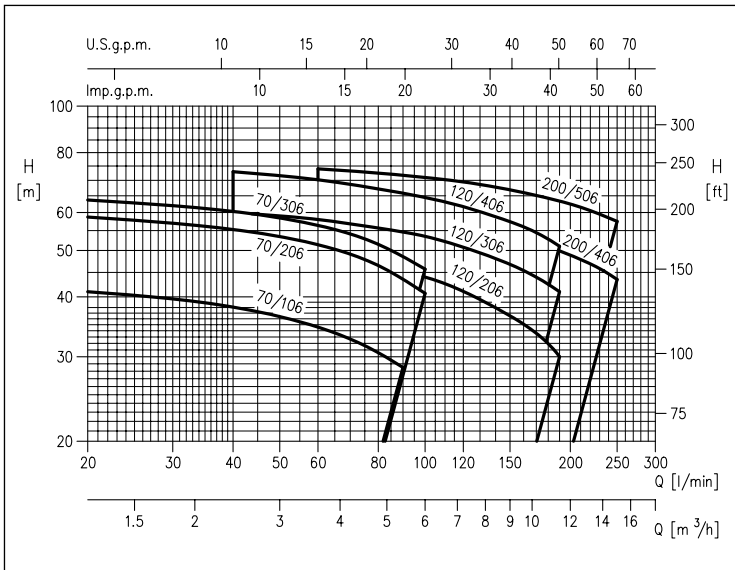
# 2CDX(L)

## DUAL IMPELLER CENTRIFUGAL ELECTRIC PUMPS

in AISI 304 and AISI 316

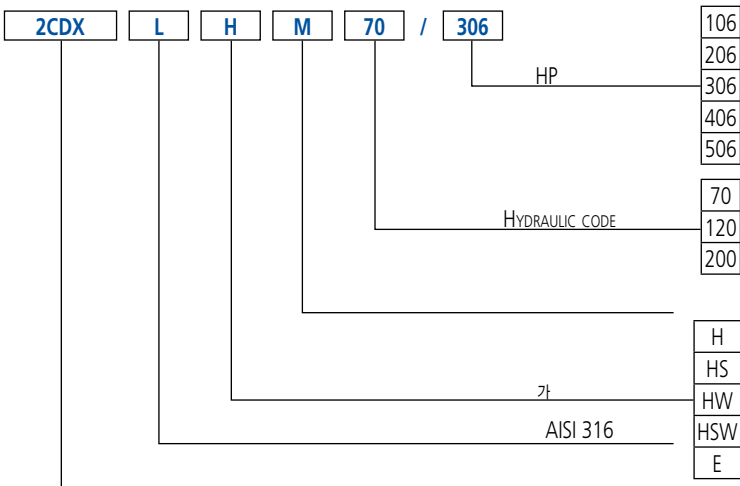


(according to ISO 9906 Attachment A)



Dual impeller centrifugal electric pumps with hydraulic parts in AISI 304 and AISI 316 stainless steel.

- 
- 
- 
- 
- 
- 
- 
- 
- : 8 bar
- 
- -5°C +60°C
- H-HS -5°C +110°
- 2
- F
- IP55
- 220-230V ±6%, 60Hz
- 220/380-460V -6%+10%, 60Hz
- CDX 200 G1½, G1¼
- G1
- 
- Casing, impeller, shaft, diffuser and casing cover in AISI 304 or AISI 316 for "L" version
- Motor bracket: in aluminium (up to 2,2 kW included), in cast iron (3 kW and above)
- Mechanical seal in:
  - Ceramic/Carbon/NBR (standard)
  - Ceramic/Carbon/FPM (H version)
  - SiC/SiC/FPM (HS version)
  - Tungsten carbide/Tungsten carbide/FPM (HW version - seal with reduced slide face)
  - SiC/Tungsten carbide/FPM (HSW version)
  - Ceramic/Graphite/EPDM (E version)



The contents of this publication must not be regarded as binding. EBARA Pumps Europe S.p.A. reserves the right to effect any modification it deems necessary, without prior notice.

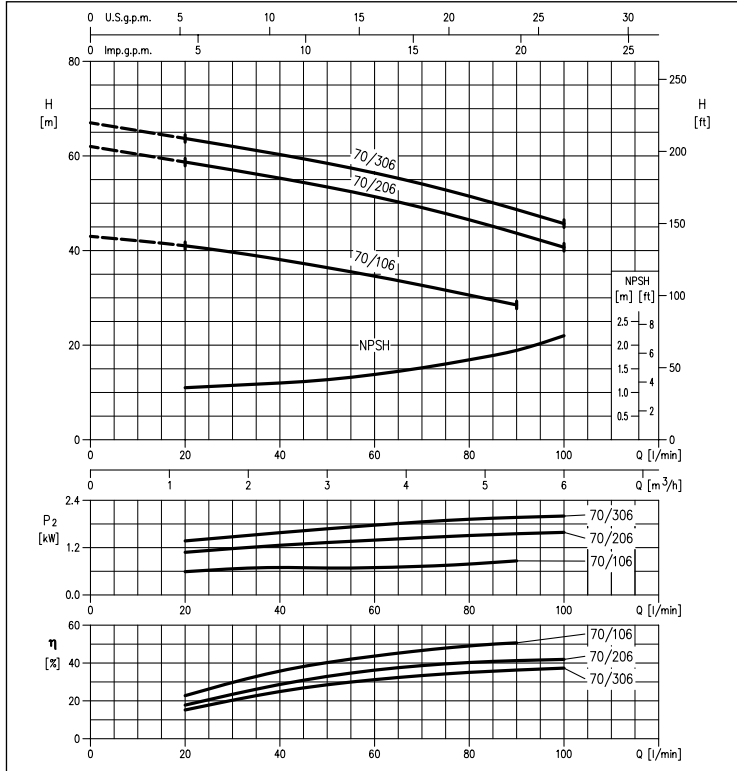


# 2CDX(L)

## DUAL IMPELLER CENTRIFUGAL ELECTRIC PUMPS in AISI 304 and AISI 316

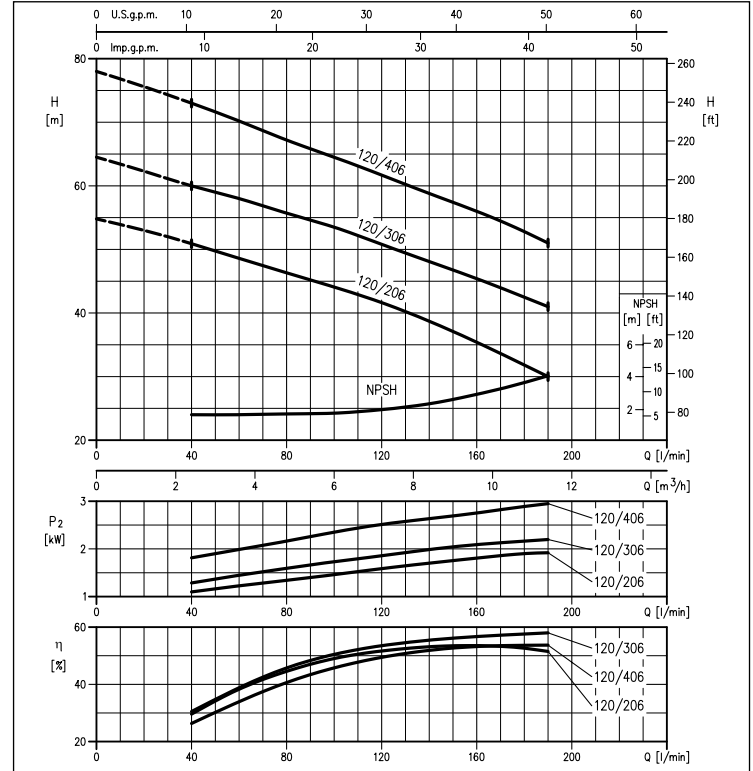
### 2CDX 70 range

(according to ISO 9906 Attachment A)



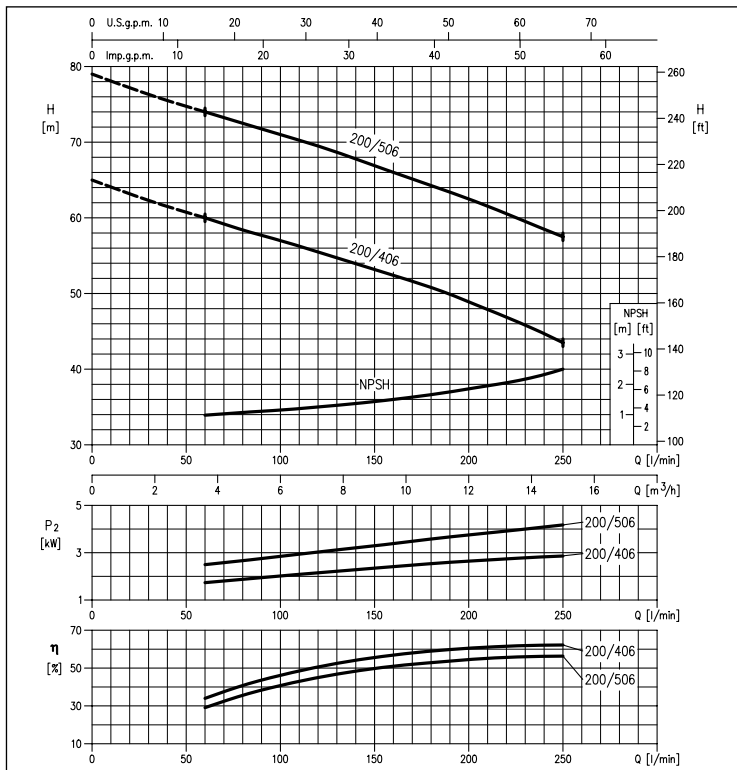
### 2CDX 120 range

(according to ISO 9906 Attachment A)



### 2CDX 200 range

(according to ISO 9906 Attachment A)



The contents of this publication must not be regarded as binding. EBARA Pumps Europe S.p.A. reserves the right to effect any modification it deems necessary without prior notice.

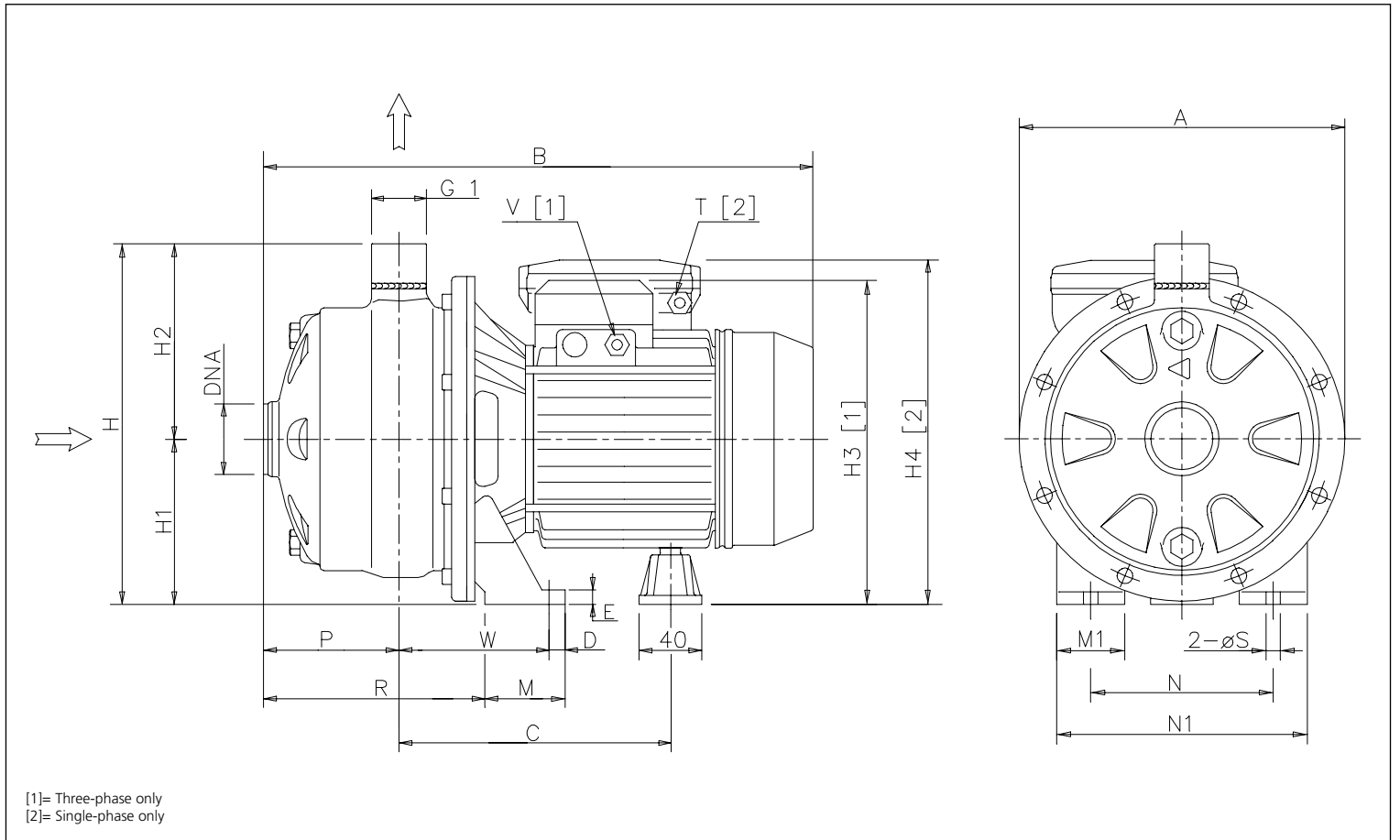


# 2CDX(L)

## DUAL IMPELLER CENTRIFUGAL ELECTRIC PUMPS

in AISI 304 and AISI 316

220-230V	220/380-460V	P <sub>2</sub>		Q=												
		[HP]	[kW]	l/min	20	40	60	90	100	120	140	160	190	240	250	
				m <sup>3</sup> /h	1,2	2,4	3,6	5,4	6	7,2	8,4	9,6	11,4	14,4	15	
				H= [m]												
2CDXM 70/106	2CDX 70/106	1	0,75	41,0	38,1	34,6	28,5	-	-	-	-	-	-	-	-	-
2CDXM 70/206	2CDX 70/206	2	1,5	58,5	55,5	51,5	44,0	40,5	-	-	-	-	-	-	-	-
2CDXM 70/306	2CDX 70/306	3	2,2	63,5	60,5	56,5	49,0	45,5	-	-	-	-	-	-	-	-
-	2CDX 120/206	2	1,5	-	50,5	48,5	45,0	44,0	41,5	38,6	35,6	30,0	-	-	-	-
-	2CDX 120/306	3	2,2	-	60,0	58,0	54,5	53,5	51,0	48,5	45,5	41,0	-	-	-	-
-	2CDX 120/406	4	3	-	73,0	70,0	66,0	64,5	62,0	59,0	56,0	51,0	-	-	-	-
-	2CDX 200/406	4	3	-	-	60,0	58,0	57,0	55,5	54,0	52,5	50,0	45,0	43,5	-	-
-	2CDX 200/506	5,5	4	-	-	74,0	72,0	71,0	69,5	68,0	66,0	63,5	58,5	57,5	-	-



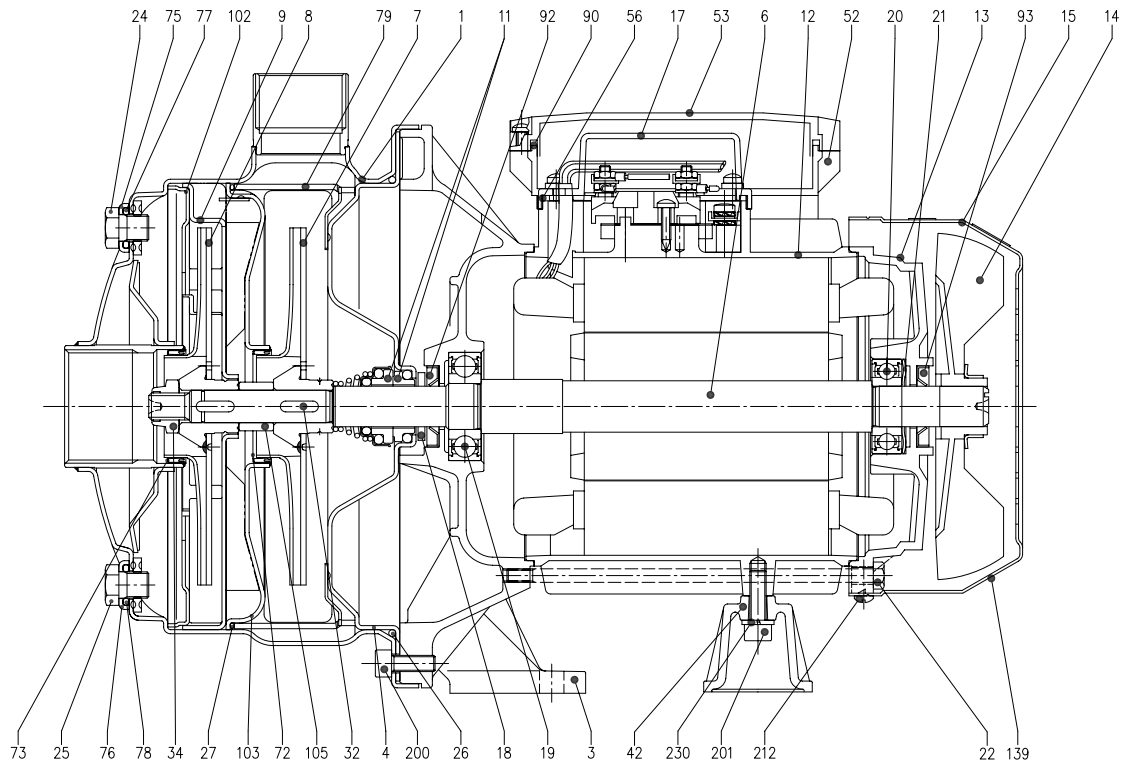
	A	B [1]	B [2]	C	D	E	H	H1	H2	H3 [1]	H4 [2]	M	M1	N	N1	P	R	S	T [2]	V [1]	W	DNA	[2]	[1]
2CDX(M) 70/106	208	354	354	181	12,5	8	229	106	123	208	216	50	38	120	160	87	142	Ø9	PG 11	PG 11	93	G1?	12,6	12,0
2CDX(M) 70/206	208	380	393	199	12,5	8	229	106	123	225	242	55	40	140	180	87	140	Ø9	PG 13,5	PG 11	95	G1?	16,6	16,0
2CDX(M) 70/306	208	380	393	199	12,5	8	229	106	123	225	242	55	40	140	180	87	140	Ø9	PG 13,5	PG 11	95	G1?	16,9	16,0
2CDX 120/206	208	395	-	199	12,5	8	229	106	123	225	-	55	40	140	180	89	142	Ø9	-	PG 11	95	G1?	-	17,5
2CDX 120/306	208	395	-	199	12,5	8	229	106	123	225	-	55	40	140	180	89	142	Ø9	-	PG 11	95	G1?	-	20,1
2CDX 120/406	208	459	-	224/235	12,5	8	229	106	123	230	-	65	40	140	180	89	146	Ø9	-	PG 13,5	109	G1?	-	25,9
2CDX 200/406	208	457	-	224/235	12,5	8	229	106	123	230	-	65	40	140	180	87	144	Ø9	-	PG 13,5	109	G1?	-	25,7
2CDX 200/506	208	480	-	233	16,0	12	241	118	123	259	-	68	50	160	210	87	144	Ø12	-	PG16	109	G1?	-	35,7

[1]= Three-phase only  
[2]= Single-phase only

# 2CDX(L)

## DUAL IMPELLER CENTRIFUGAL ELECTRIC PUMPS

in AISI 304 and AISI 316



Ref.			Ref.		
1	Casing	EN 1.4301 (AISI 304)	26	O-Ring [3]	NBR
3	Motor bracket	Aluminium (up to 2,2 kW included) Cast iron (from 3 kW and above)	27	O-Ring [3]	NBR
4	Casing cover	EN 1.4301 (AISI 304)	32	Key	AISI 316
6	Shaft	EN 1.4301 (AISI 304)	34	Impeller nut	EN 1.4301 (AISI 304)
7	Impeller	Part in contact with the liquid EN 1.4301 (AISI 304)	42	Motor support	Aluminium
8	Impeller	EN 1.4301 (AISI 304)	52	Terminal box [2]	ABS
9	Diffuser	EN 1.4301 (AISI 304)	53	Terminal box cover [2] [4]	ABS
11	Mechanical seal [3]	Carbon/Ceramic/NBR	56	Terminal box cover gasket	NBR
12	Motor frame with stator	-	72	Casing ring [3]	NBR
13	Motor cover	Aluminium	73	Casing ring [3]	NBR
14	Fan	PA	75	Washer	EN 1.4301 (AISI 304)
15	Fan cover	Galvanised Fe P04	76	Washer	EN 1.4301 (AISI 304)
16	Terminal box	-	77	O-Ring [3]	NBR
17	Terminal box cover [2]	-	78	O-Ring [3]	NBR
18	Splash ring	NBR	79	Space diffuser	EN 1.4301 (AISI 304)
19	Bearing (pump side)	-	90	Terminal box cover gasket [7]	NBR
20	Bearing (motor side)	-	92	Lip seal	-
21	Adjusting ring	Steel C70	93	Lip seal	-
22	Tie-rod	Galvanised Fe 42	102	Suction cover	EN 1.4301 (AISI 304)
23	Capacitor [1]	-	103	Conveyor cover	EN 1.4301 (AISI 304)
24	Priming plug	AISI 303	105	Sleeve	EN 1.4301 (AISI 304)
25	Drain plug	AISI 303	110	Protector [2]	-
			200	Screw (pump body)	A2 UNI7323 stainless steel

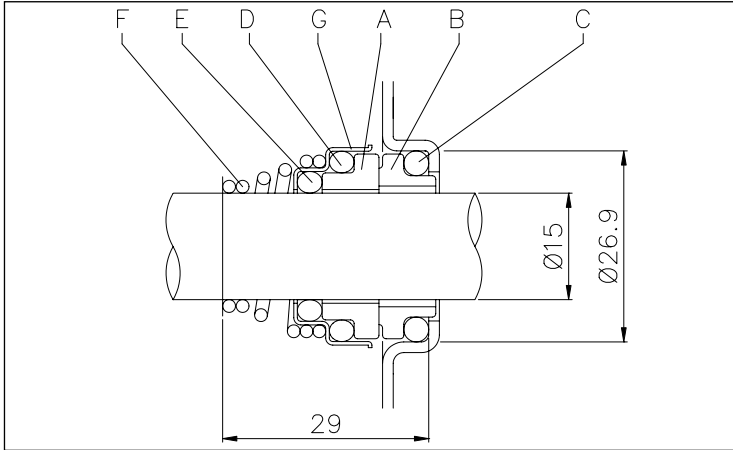
[1]= Three-phase only [2]= Single-phase only [3]= FPM for H-H5-HW-HSW versions  
 [4]= Whit gasket in NBR only for 2CDXM 70/106  
 [5]= Only for 2CDXM 70/206-70/306

# 2CDX(L)

## DUAL IMPELLER CENTRIFUGAL ELECTRIC PUMPS

in AISI 304 and AISI 316

2CDX standard



Ref.		
A	Rotating part	Ceramic
B	Fixed part	Carbon
C	O-Ring	NBR
D	O-Ring	NBR
E	O-Ring	NBR
F	Spring	AISI 316
G	Structure/frame	AISI 304

(on request)

	H version	HS version	HW version	HSW version	E version
Fixed Part	Carbon	SiC	Tungsten Carbide	Tungsten Carbide	Carbon
Rotating Part	Ceramic	SiC	Tungsten Carbide	SiC	Ceramic
Elastomers	FPM	FPM	FPM	FPM	EPDM
Spring	AISI 316	AISI 316	AISI 316	AISI 316	AISI 316
Structure/Frame	AISI 304	AISI 316	AISI 316	AISI 316	AISI 316

220-230V	220/380-460V	P <sub>2</sub>		Capacitor		P <sub>1</sub>		Absorbed Current [A]			
		[HP]	[kW]	µF	V.	[kW]	[kW]	220-230V	220V	380V	460V
2CDXM 70/106	2CDX 70/106	1	0,75	20	450	1,37	1	6,4	2,9	1,7	1,6
2CDXM 70/206	2CDX 70/206	2	1,5	35	450	2,05	2,9	9,9	8,1	4,7	4,3
2CDXM 70/306	2CDX 70/306	3	2,2	35	450	2,63	2,9	11,9	8,1	4,7	4,3
-	2CDX 120/206	2	1,5	-	-	-	2,9	-	8,1	4,7	4,3
-	2CDX 120/306	3	2,2	-	-	-	2,9	-	8,1	4,7	4,3
-	2CDX 120/406	4	3	-	-	-	3,9	-	10,5	6,1	5,6
-	2CDX 200/406	4	3	-	-	-	3,9	-	10,5	6,1	5,6
-	2CDX 200/506	5,5	4	-	-	-	5,1	-	14,7	8,5	8,0

The contents of this publication must not be regarded as binding. EBARA Pumps Europe S.p.A. reserves the right to effect any modification it deems necessary, without prior notice.



**EBARA**

