

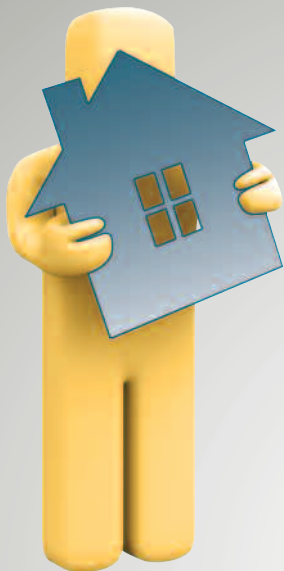


EBARA

CVM

VERTICAL MULTISTAGE CENTRIFUGAL ELECTRIC PUMPS

60 Hz

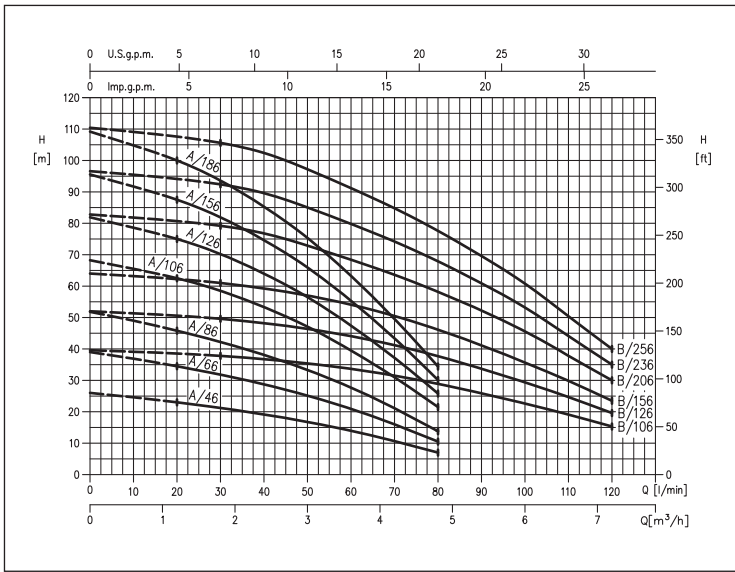


VERTICAL MULTISTAGE CENTRIFUGAL ELECTRIC PUMPS

in cast iron



(according to ISO 9906 Attachment A)



Cast iron vertical multistage centrifugal electric pumps.

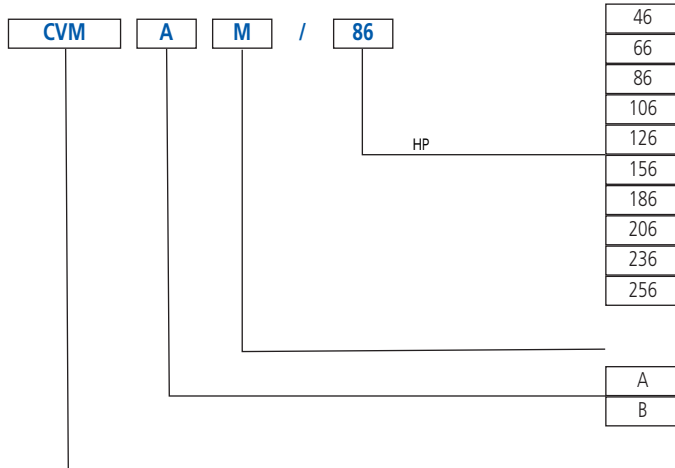
-
- 가
-
-
-

-
-
-

Á

- : 11 bar
- : 40°C
- 2
- : F
- : IP44
- 220-230V ±6%, 60Hz ,
- 220/380V -6%+10%, 60Hz
- G 1¼

- Cast iron pump body and bracket
- External casing in AISI 304
- Impeller and diffuser in PPE+PS reinforced with fibreglass
- Stages in PPE+PS reinforced with fibreglass/PTFE
- Shaft in AISI 416
- Mechanical seal in Carbon/Ceramic/NBR

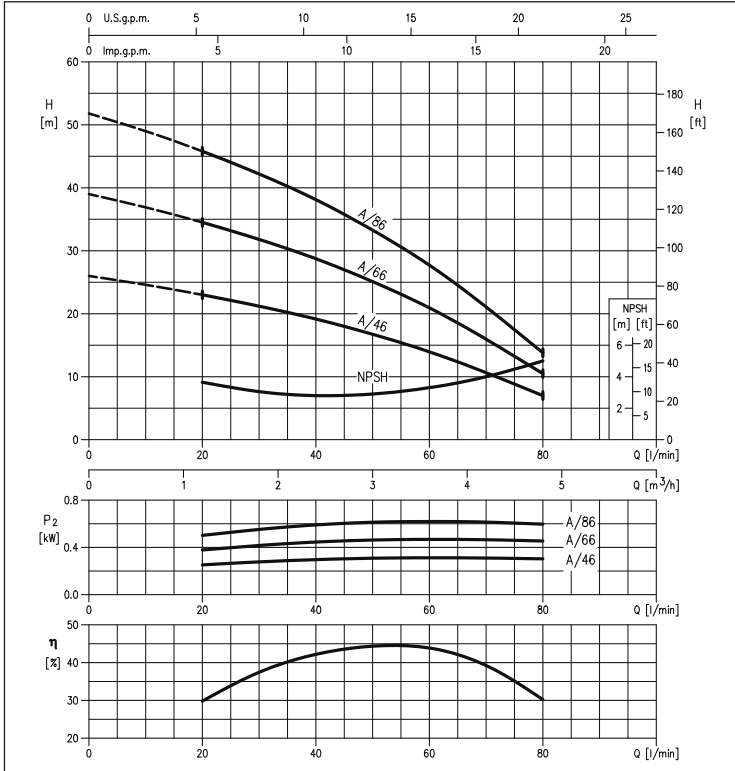




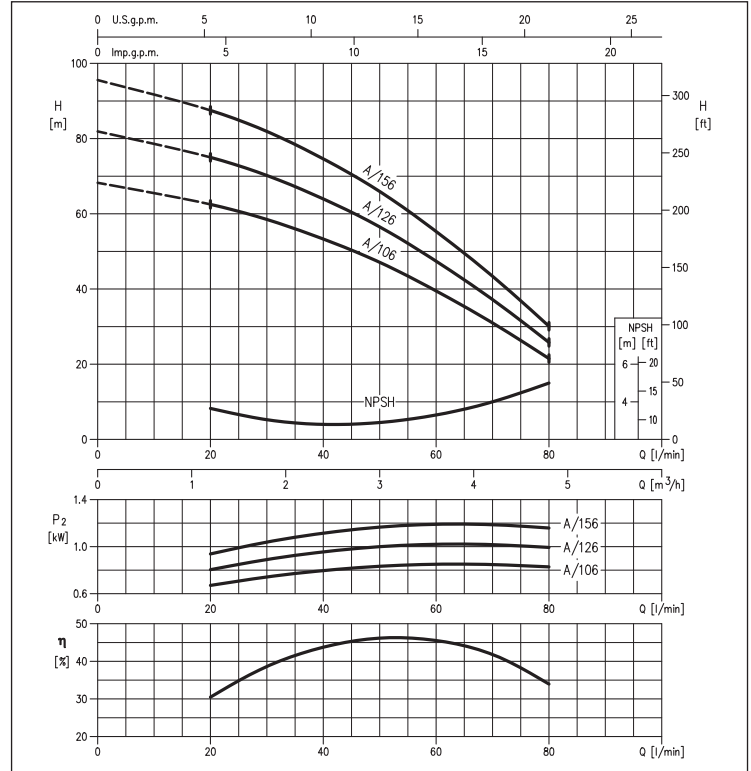
CVM

VERTICAL MULTISTAGE CENTRIFUGAL ELECTRIC PUMPS in cast iron

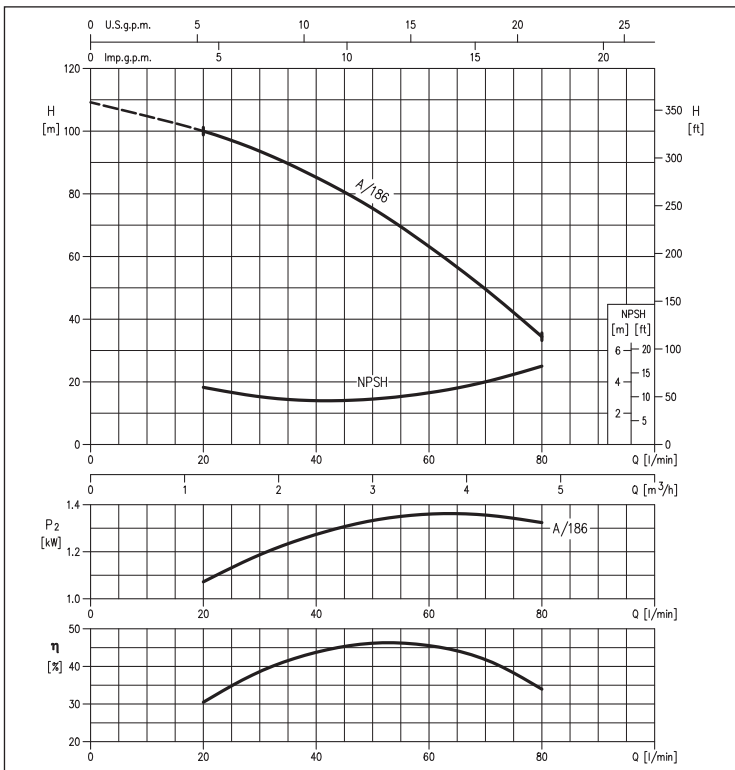
CVM A range (from 0.3 to 0.6 kW)
(according to ISO 9906 Attachment A)



CVM A range (from 0.75 to 1.1 kW)
(according to ISO 9906 Attachment A)



CVM A range (1.3 kW)
(according to ISO 9906 Attachment A)



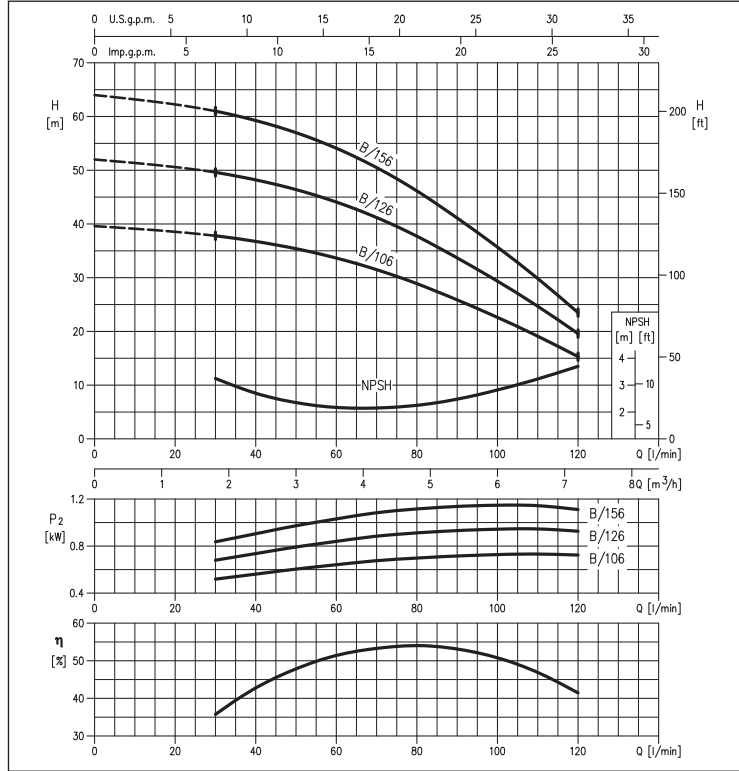
VERTICAL MULTISTAGE CENTRIFUGAL ELECTRIC PUMPS

in cast iron

CVM B range

(from 0.75 to 1.1 kW)

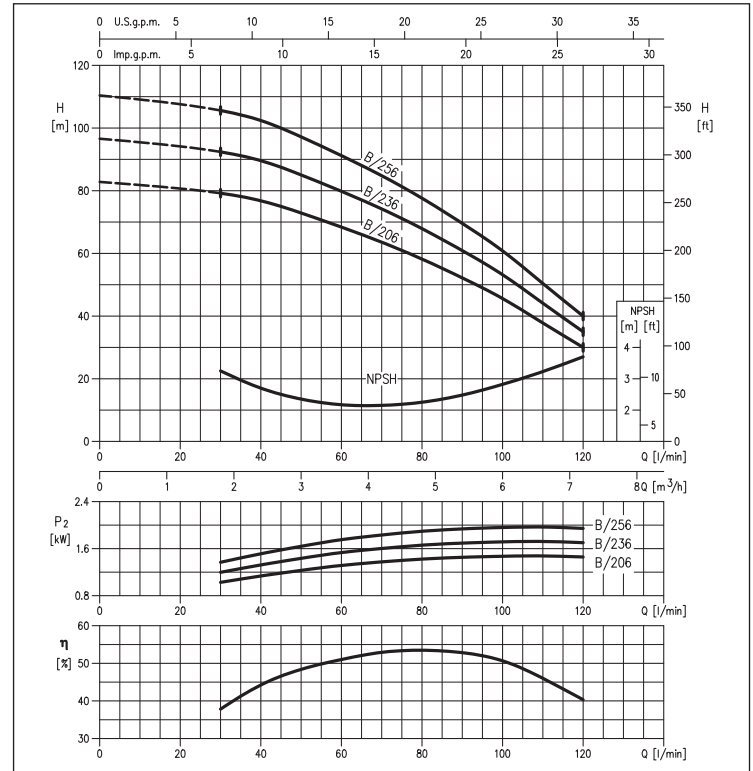
(according to ISO 9906 Attachment A)



CVM B range

(from 1.5 to 1.9 kW)

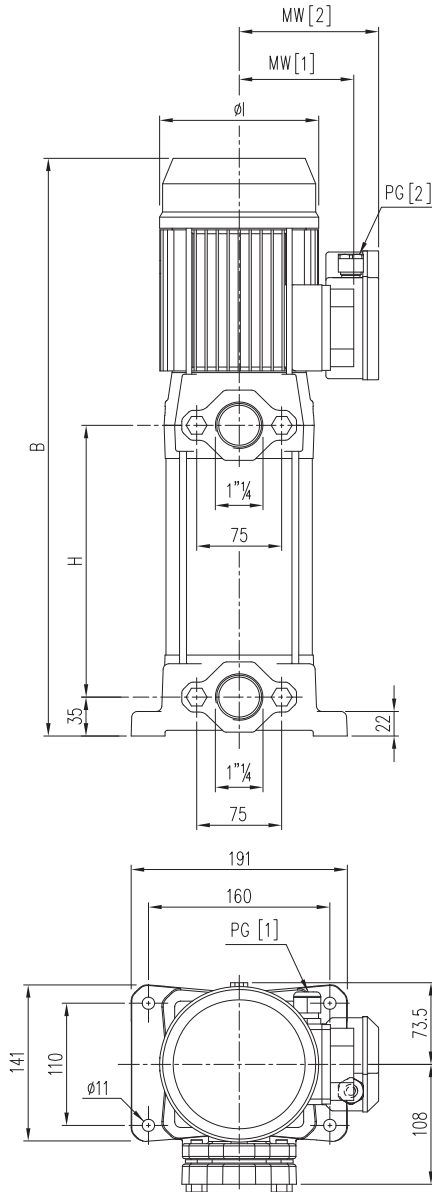
(according to ISO 9906 Attachment A)



220-230V	220/380V	P_2		$Q=$										
		[HP]	[kW]	l/min	20	30	40	50	60	80	100	120		
				m³/h	1,2	1,8	2,4	3	3,6	4,8	6	7,2		
				$H=$ [m]										
CVM AM/46	CVM A/46	0,4	0,3	-	23,0	21,2	19,2	16,7	14,0	7,0	-	-		
CVM AM/66	CVM A/66	0,6	0,44	-	34,5	31,8	28,7	25,1	20,9	10,5	-	-		
CVM AM/86	CVM A/86	0,8	0,6	-	45,5	42,0	38,1	33,3	27,7	13,8	-	-		
CVM AM/106	CVM A/106	1	0,75	-	62,5	58,5	53,0	47,0	39,5	21,5	-	-		
CVM AM/126	CVM A/126	1,2	0,9	-	75,0	70,0	64,0	56,5	47,5	25,8	-	-		
CVM AM/156	CVM A/156	1,5	1,1	-	87,5	82,0	74,5	66,0	55,5	30,1	-	-		
CVM AM/186	CVM A/186	1,8	1,3	-	100,0	93,5	85,5	75,5	63,0	34,4	-	-		
CVM BM/106	CVM B/106	1	0,75	-	-	37,8	36,8	35,4	33,7	28,9	22,6	15,3		
CVM BM/126	CVM B/126	1,2	0,9	-	-	49,5	48,0	46,5	44,0	37,7	29,4	19,6		
CVM BM/156	CVM B/156	1,5	1,1	-	-	61,0	59,5	57,0	54,0	46,0	35,7	23,5		
CVM BM/206	CVM B/206	2	1,5	-	-	79,0	77,0	73,0	68,5	58,0	45,5	30,0		
CVM BM/236	CVM B/236	2,3	1,7	-	-	92,5	89,5	85,0	80,0	68,0	53,0	35,0		
-	CVM B/256	2,5	1,9	-	-	106,0	102,0	97,0	91,0	77,5	61,0	40,0		

VERTICAL MULTISTAGE CENTRIFUGAL ELECTRIC PUMPS

in cast iron

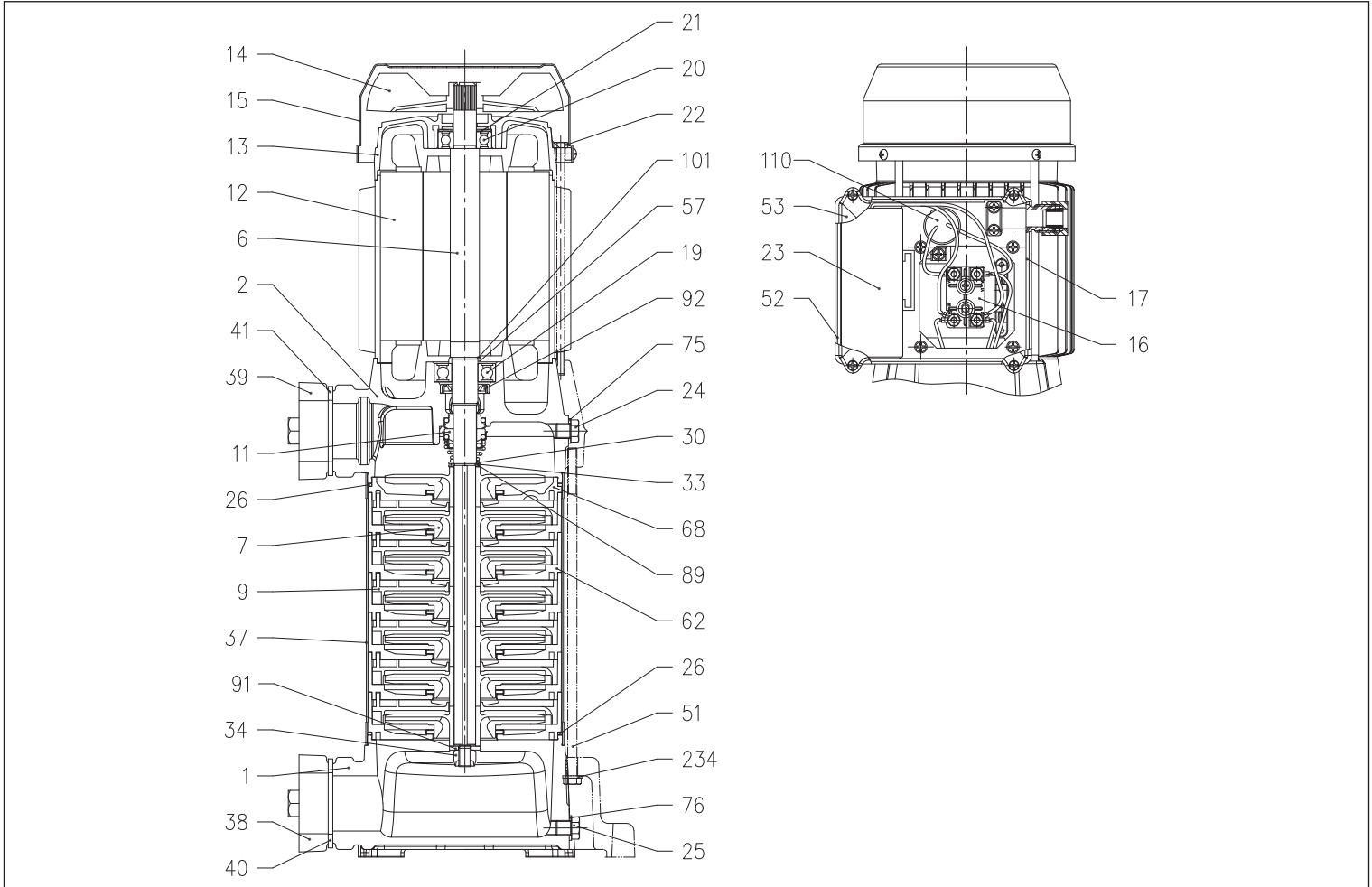


[1]= Three phase only
[2]= Single phase only

220-230V		220/380V		[mm]										[kg]	
		[2]	[1]	B	H	Ø	[2]	MW	[1]	[2]	PG	[1]	[2]	[1]	
CVM AM/46	CVM A/46	63	336	336	112	124	101	92	11	11	11,0	11,0			
CVM AM/66	CVM A/66	63	362	362	138	124	101	92	11	11	11,7	11,6			
CVM AM/86	CVM A/86	63	388	388	164	124	101	92	11	11	12,7	12,6			
CVM AM/106	CVM A/106	71	452	454	190	140	110,5	101	11	11	16,5	16,6			
CVM AM/126	CVM A/126	71	478	492	216	140	110,5	101	11	11	17,5	17,6			
CVM AM/156	CVM A/156	71	516	518	242	140	110,5	101	11	11	18,5	18,6			
CVM AM/186	CVM A/186	80	565	565	268	159	136	119	13,5	11	20,5	20,6			
CVM BM/106	CVM B/106	71	400	402	138	140	110,5	101	11	11	15,9	15,9			
CVM BM/126	CVM B/126	71	426	440	164	140	110,5	101	11	11	16,8	16,7			
CVM BM/156	CVM B/156	71	464	466	190	140	110,5	101	11	11	18,0	17,9			
CVM BM/206	CVM B/206	80	526	526	216	159	134,5	119	13,5	11	21,2	21,3			
CVM BM/236	CVM B/236	80	552	552	242	159	134,5	119	13,5	11	22,2	22,3			
-	CVM B/256	80	578	578	268	159	-	119	-	11	-	24,0			

VERTICAL MULTISTAGE CENTRIFUGAL ELECTRIC PUMPS

in cast iron



Ref.			Ref.		
1	Suction casing	Cast iron EN-GJL-200-EN 1561	33	Seeger ring	EN 1.4021 (AISI 420) (Dim. 12)
2	Delivery casing	Cast iron EN-GJL-200-EN 1561			EN 1.4301 (AISI 304) (Dim. 14)
6	Shaft	EN 1.4005 (AISI 416)	34	Impeller nut	EN 1.4301 (AISI 304)
7	Impeller	PPE+PS reinforced with fibreglass	37	External pump casing	EN 1.4301 (AISI 304)
9	Diffuser	PPE+PS reinforced with fibreglass	38	Counterflange	Cast iron EN-GJL-200-EN 1561
11	Mechanical seal	Carbon/Ceramic/ NBR	39	Counterflange	Cast iron EN-GJL-200-EN 1561
12	Motor frame with stator	-	40	Counterflange gasket	NBR
13	Motor cover	Aluminium	41	Counterflange gasket	NBR
14	Fan	PA6	51	Tie-rod	Galvanised Fe P04
15	Fan cover	Galvanised Fe P04	52	Capacitor box [2]	ABS
16	Terminal board	-	53	Capacitor box cover [2] [5]	ABS
17	Terminal box cover [1]	Aluminium	57	Pump side ball bearing spacer [3]	Steel C40
19	Bearing (pump side)	-	62	Stage housing	PPE+PS reinforced with fibreglass/PTFE
20	Bearing (motor side)	-	68	Stage	PPE+PS reinforced with fibreglass/PTFE
21	Adjusting ring	Steel C70	75	Washer	Aluminium
22	Motor tie-rod	Galvanised Fe 42	76	Washer	Aluminium
23	Capacitor [2]	-	89	Washer	EN 1.4301 (AISI 304)
24	Priming plug	OT 58 UNI 5705	91	Washer	EN 1.4301 (AISI 304)
25	Drain plug	OT 58 UNI 5705	92	Lip seal	NBR
26	O-Ring	NBR	101	Seeger ring [3]	EN 1.4301 (AISI 304)
30	Washer	EN 1.4301 (AISI 304)	110	Motorprotector [4]	-
			234	Washer	Galvanised steel

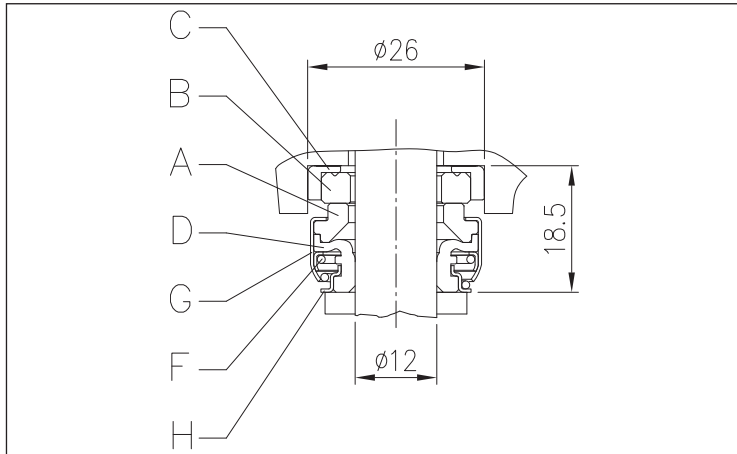
[1]= For three phase only [2]= For single phase only [3]= For motor size 80 only

[4]= For motor size 71 and 80 single phase only [5]= With gasket in NBR only for single phase version: CVM A from 0,3 kW up to 1,1 kW, CVM B from 0,75 kW up to 1,1 kW

VERTICAL MULTISTAGE CENTRIFUGAL ELECTRIC PUMPS

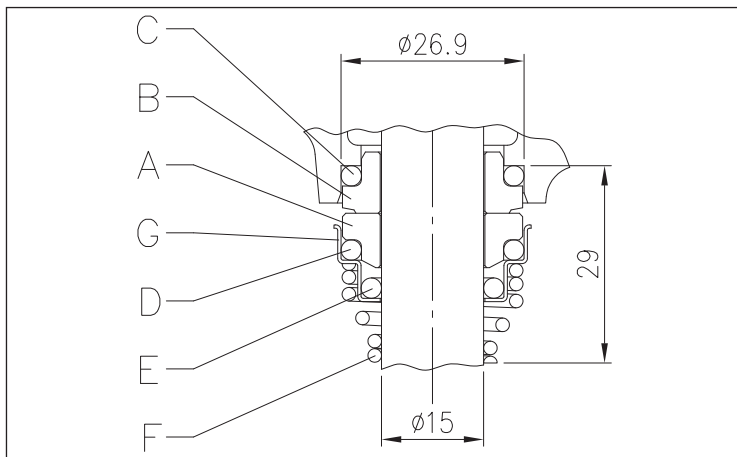
in cast iron

for CVM up to 0.6 kW



Ref.		
A	Rotating part	Carbon
B	Fixed part	Ceramic
C	Gasket	NBR
D	Diaphragm	NBR
F	Spring	AISI 304
G	Structure/frame	AISI 304
H	Retainer ring	AISI 304

for CVM 0.75 kW and over



Ref.		
A	Rotating part	Ceramic
B	Fixed part	Carbon
C	O-Ring	NBR
D	O-Ring	NBR
E	O-Ring	NBR
F	Spring	AISI 316
G	Structure/frame	AISI 304

220-230V	220/380V	P ₂		Capacitor		P ₁		Absorbed Current [A]		
		[HP]	[kW]	μF	V _c	[kW]	[kW]	220-230V	220V	380V
CVM AM/46	CVM A/46	0,4	0,3	10	450	0,54	0,45	2,9	1,6	0,9
CVM AM/66	CVM A/66	0,6	0,44	12,5	450	0,73	0,63	3,5	2,1	1,2
CVM AM/86	CVM A/86	0,8	0,6	14	450	0,91	0,75	4,3	2,4	1,4
CVM AM/106	CVM A/106	1	0,75	20	450	1,33	1,0	6,7	2,9	1,7
CVM AM/126	CVM A/126	1,2	0,9	31,5	450	1,53	1,5	7,0	3,8	2,2
CVM AM/156	CVM A/156	1,5	1,1	31,5	450	1,60	1,5	7,5	3,8	2,2
CVM AM/186	CVM A/186	1,8	1,3	35	450	1,87	2,0	8,2	5,7	3,3
CVM BM/106	CVM B/106	1	0,75	20	450	1,19	1,0	6,4	2,9	1,7
CVM BM/126	CVM B/126	1,2	0,9	31,5	450	1,46	1,5	6,8	3,8	2,2
CVM BM/156	CVM B/156	1,5	1,1	31,5	450	1,58	1,5	7,4	3,8	2,2
CVM BM/206	CVM B/206	2	1,5	40	450	1,97	2,9	8,9	8,1	4,7
CVM BM/236	CVM B/236	2,3	1,7	40	450	2,29	2,9	10,7	8,1	4,7
-	CVM B/256	2,5	1,9	-	-	-	2,9	-	8,1	4,7



EBARA

